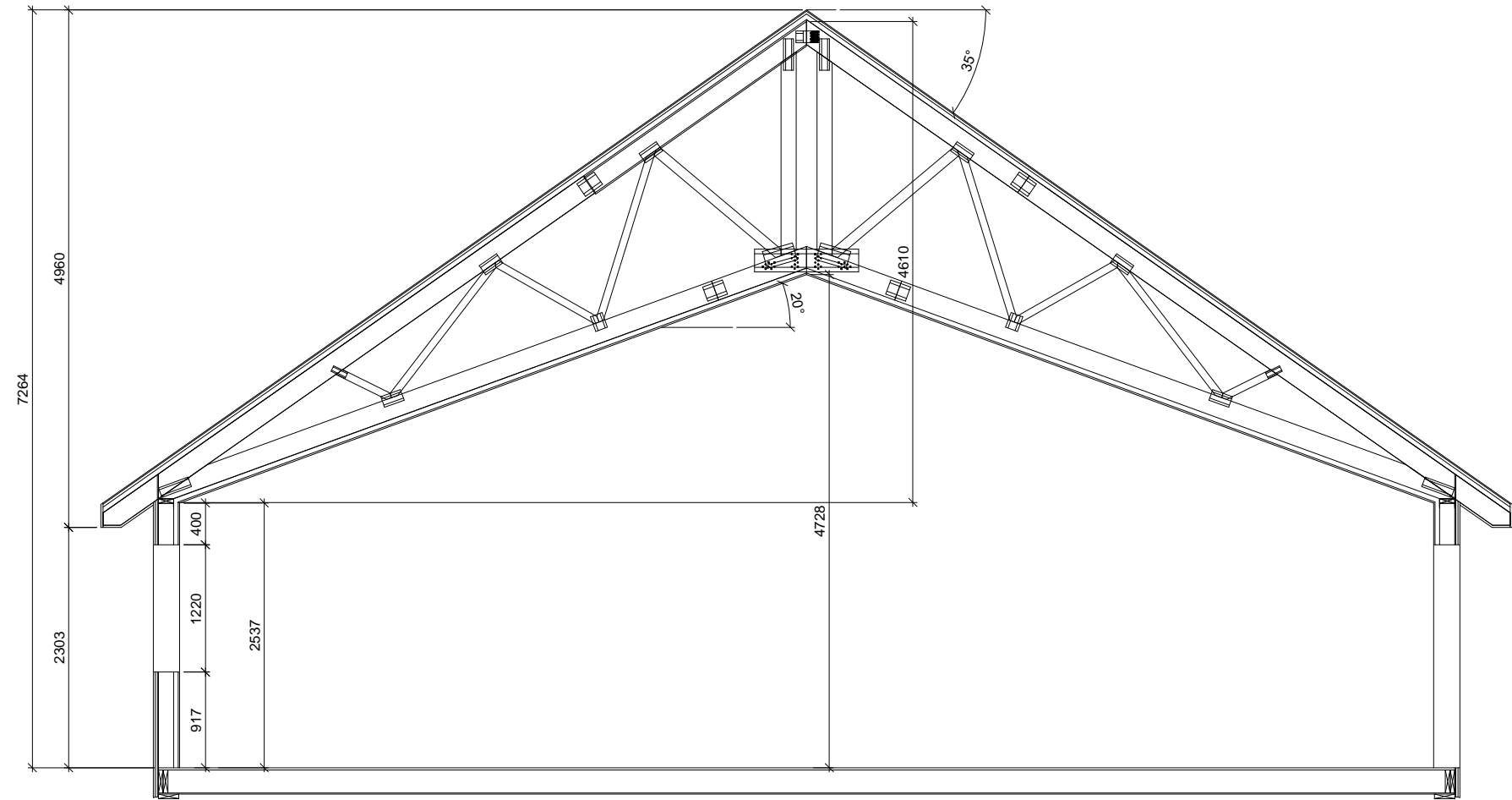


Section1-1



Section2-2

| | | | | | |
|------------------|-----------|------------|------------------|--|----------|
| Designer | | | Project | | |
| Liskandas | | | Sarisbury | | |
| Name | Signature | Date | Drawing Name | | Revision |
| | | 2018 04 27 | Sections | | 0 |
| Size | Scale | Investor | Drawing Number | | Sheet |
| A3 | 1:100 | | A04 | | 4 |
| | | | | | Sheets |
| | | | | | 4 |